



110 Zone Controller

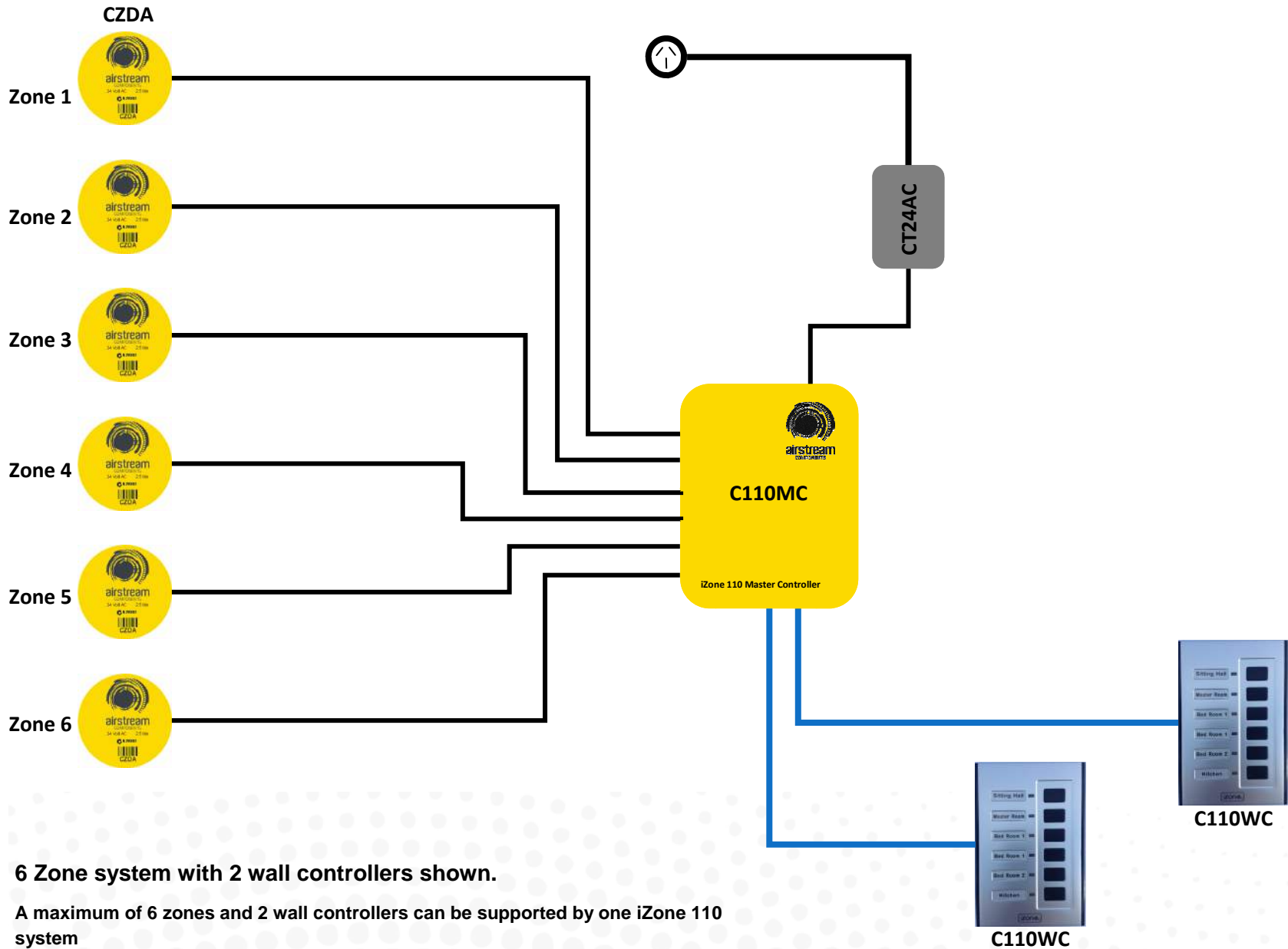
Installation and User Manual



Table of contents

Section	Description	Page No.
1.0 Installation		3
1.1	Standard wiring layout	3
1.2	Installation instructions	4
2.0 System initialisation		5
3.0 System configuration		6
3.1	Set the number of zones required	6-7
3.2	Set the number of electronic constants required	6-7
3.3	Testing and Labelling	6-7
4.0 User manual		8
5.0 Further assistance		10

1.1 Standard wiring layout



6 Zone system with 2 wall controllers shown.

A maximum of 6 zones and 2 wall controllers can be supported by one iZone 110 system

1.2 Installation instructions

1. The C110MC can be installed on top of the indoor fan coil unit.
2. Do **not** run the blue network cables alongside 240 Volt wiring.
3. When installing network cables down wall cavities or chasing network cables into walls, tape up and protect the RJ45 connector to avoid damage to the connectors.
4. Always install zones in consecutive ports starting at Zone 1. The back of the C110MC is marked with the zone port numbers.
5. Do not directly hardwire the CT24AC into the AC unit's power supply. This may void the warranty as it will require an electrician in the event that repair of the iZone 110 system is required.
6. Connect Zone Damper Actuators (CZDA) to the zone ports using the RJ11 cables as shown.
7. Connect the Wall controller(s) (C110WC) to the C110WC ports using the RJ45 cables.
8. Only connect the power supply to the CT24AC port after all components have been connected.

2.0 System initialisation

All new or modified systems must be initialised prior to system configuration.

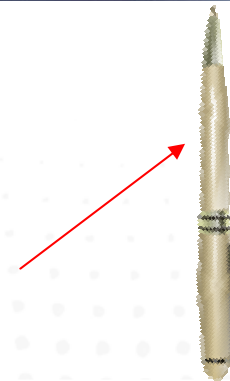
To initialise the system press the button on the underside of any wall controller. This button is recessed so you will need to use a pen to press the button.

The time to initialise the system will vary depending on the number of motors connected.

The system will also initialise when power is restored after a power failure.



Using a pen, press the button on the underside of the screen.



3.0 System configuration

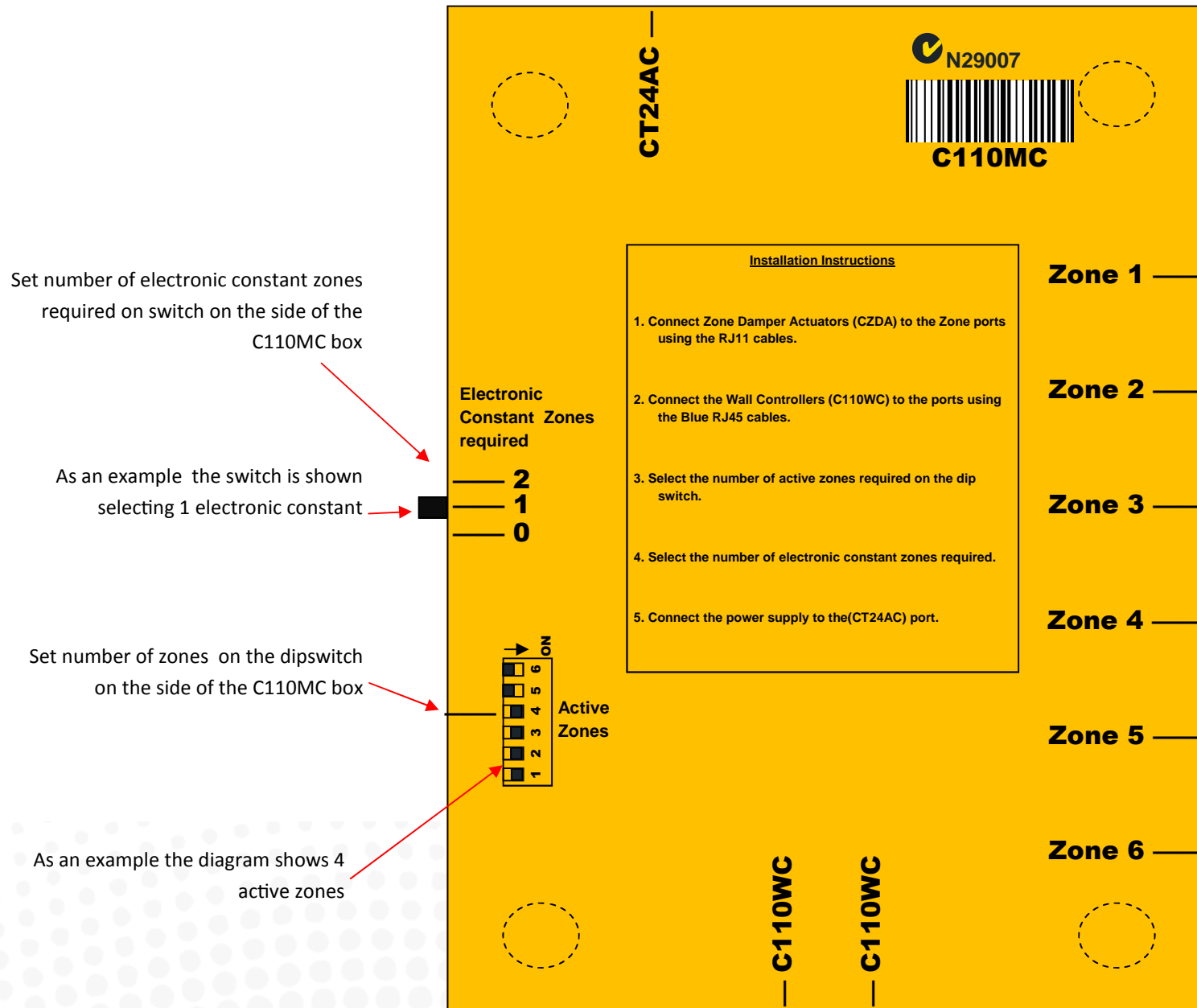
WARNING ! Only qualified iZone 110 installers should configure the iZone 110 System. Incorrect configuration could result in damage to your air conditioning unit and system.

- 3.1 On the C110MC, set the number of active zones required on the 6 position dip switch. By moving the associated dipswitch up the respective zone will be deactivated and conversely by setting the dipswitch down (ON), the associated zone will be activated. The factory setting is all 6 zones activated.

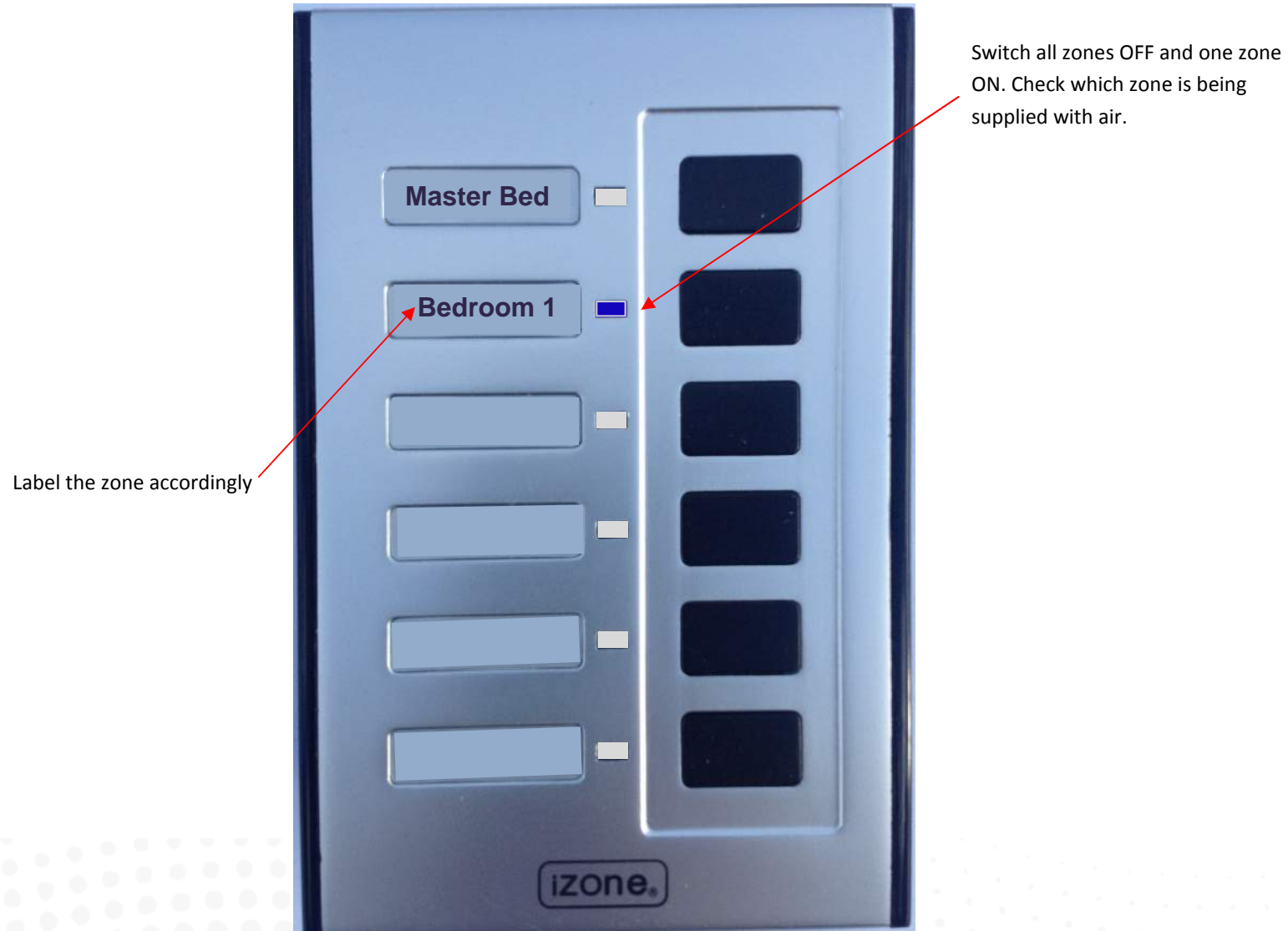
- 3.2 On the C110MC set the number of electronic constants you require to ensure the safe operation of the system.
An electronic constant is a safety feature and ensures that a predetermined number of zones remain open at all times even if all the zones are switched off. If 1 electronic constant is selected, Zone 1 will automatically open if all the zones are closed. If 2 electronic constants is selected, Zone 1 and 2 will automatically open if all the zones are closed. Only set the number of electronic constants to 0 if the system is an old fashioned design with at least one supply air outlet that is not zoned.

- 3.3 Set the AC unit fan speed to high and close all zones. Open one zone at a time and check which room the air is being supplied to. Label the zone using the stickers provided, being care full to place the sticker squarely in the recess provided. Peel off the protective coating from the sticker.

3.1 & 3.2 Set up number of zones & electronic constants required



3.3 Testing and Labelling



4.0 User manual



Press the silicone button to switch zones on and off

The LED will illuminate when the zone is on

5.0 Further assistance

1. If you require warranty or repair on your air conditioning system or iZone system you should contact your installation company.
2. If you want to add more zones you should contact your installation company.
3. If your require assistance operating your iZone contact:
Airstream Components
www.air-stream.com.au
info@air-stream.com.au
Phone 08 6254 2408

